

ELEVATOR

Elevator drive	Rack and pinion
Maximum passengers	30
Total base unit weight	9,000 lbs (4,082 kg)
Capacity	6,000 lbs (2,722kg)

CAR/GATES

Car weight	5,765 lbs (2,615 kg)
Maximum car speed	175 ft/min (53 m/min)
Interior dimensions	12'4" L x 4'8" W x 7'2" H (3.76 m L x 1.42 m W x 2.18 m H)

TOWER

Maximum tower height	500' (152m) Consult Factory for Greater Heights
Dimensions of tower section	28" L x 28" W x 60" H (.71 m L x .71 m W x 1.52 m H)
Weight of tower section	332 lbs (151 kg)
Wall ties	Adjustable strut
Tie-in intervals	30 ft (9.14 m)

MOTOR/POWER

Motors	(2) 35 Hp, 33 kW
Power required	75 KVA, 480 VAC, 60 Hz, 3Ø
Motor control	Variable Frequency Drive (VFD)
Electrical outlet	120 VAC
Base disconnect	90 Amps Circuit Breaker in NEMA 4 Enclosure
Full load current	90 Amps
Traveling Cable	Multl-Conductor Type W - Tower Height Plus 30 ft (9.14 m)

BRAKES

Brake (2)	Spring Set Electrical Release Multiple Disc Brake
Safety overspeed Governor	Centrifugally Actuated Multiple Friction Disc Brake
Stopping distance accuracy	± .5" (± 12mm)
Brake Torque	295 ft-lb (400 N•m) Per Brake

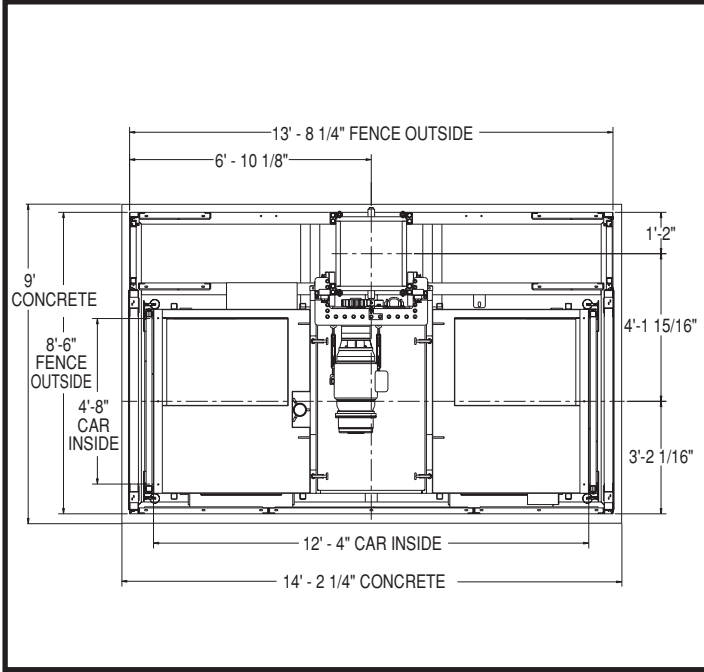
STANDARD BASE UNIT

- Fully assembled enclosed car
- Overspeed governor
- Manually Operated Vertically bi-parting Gates
- Control and Limit switches
- 20' of tower for 0 Lifting Height
- Hot Dipped Galvanized Car & Tower
- GFI Receptacle in Car
- Car Lighting
- Base Fence Enclosure with One Landing Gate
- Base Disconnect Box
- Buffer stand and Springs
- Power Cord Guide Wheel Assembly
- Rooftop Control
- Manual Control
- Variable Frequency Drive (VFD)

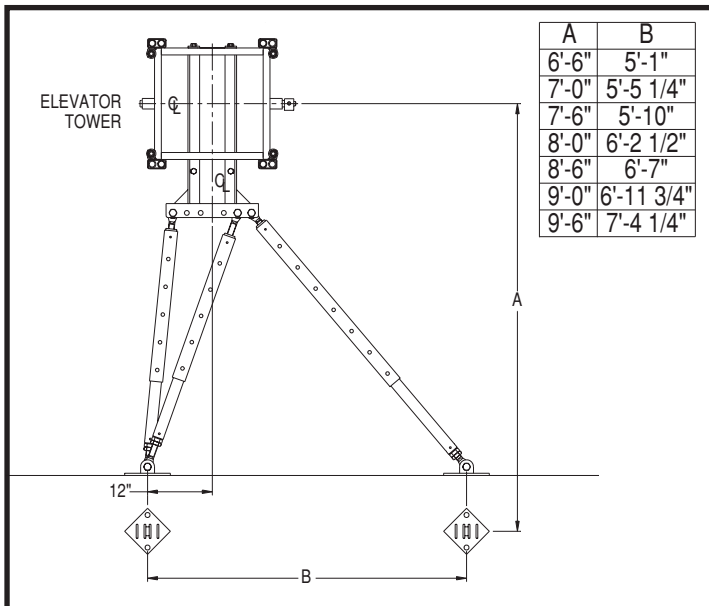
OPTIONAL FEATURES

- Base Platform and Stairs
- Landing Gates, bi-parting or swinging
- Landing Call Station
- Single Automatic Controls & Selective Collective Controls
- Emergency Lighting System
- Additional Tower Sections
- Car Top Light & Switch
- Explosion Proof Package Available
- Gin Pole with Hand Winch for Tower Erection
- Lighted Push-Button Landing Call Station
- Communication or Signal System
- Alarm Installation
- Pit Light & Switch
- Pit Stop Switch
- Side Access Door

FOUNDATION DIMENSIONS

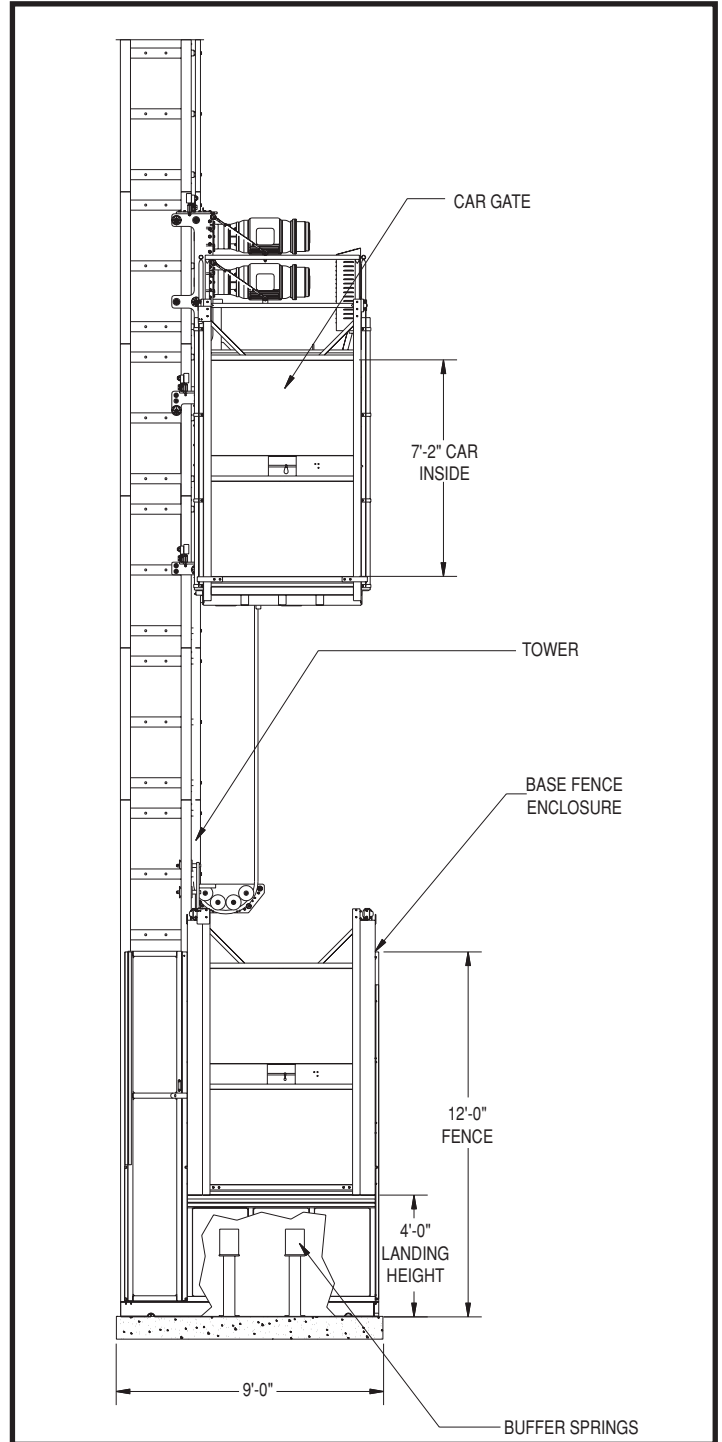


WALL TIE DETAIL



Dimensions are typical, please consult with engineering for specific configurations.

BASIC ELEMENTS



Alimak Hek Champion Model elevators are designed to comply with ANSI A10.4, Part XV. Use of products must comply to safe practice and applicable statutes, regulations, codes and ordinances. Drawings are illustrative only and do not necessarily depict exact configurations of products offered at a particular time. Alimak Hek Inc has a policy of continuous product research and development, and reserves the right to change design and specifications without notice.

Alimak Hek Inc ★ 8400 Villa Drive ★ Houston, TX 77061 ★ USA

800-345-0481 ★ 713-640-8500 ★ fax 713-640-8549 ★ www.alimakhek.com