

HEK TPM 1300SD

Technical Specifications

POWER SUPPLY REQUIREMENTS

Voltage:	480V, 3 Phase
Frequency:	60 Hz
Breaker Size:	40 A

MACHINE SPECIFICATIONS

Platform Speed:	39 ft/min
Platform Interior:	5'3" L x 10'6" L
Lifting Capacity:	2866 lbs
Maximum Lifting Height	
Anchored:	656 ft
Freestanding:	0 ft
Anchor Distance:	30 ft
Height of First Anchor:	10 ft
Mast Height Above Top Anchor:	15 ft
Motors (Vertical Travel):	2 x 5.5 kW
Control Voltage:	24V

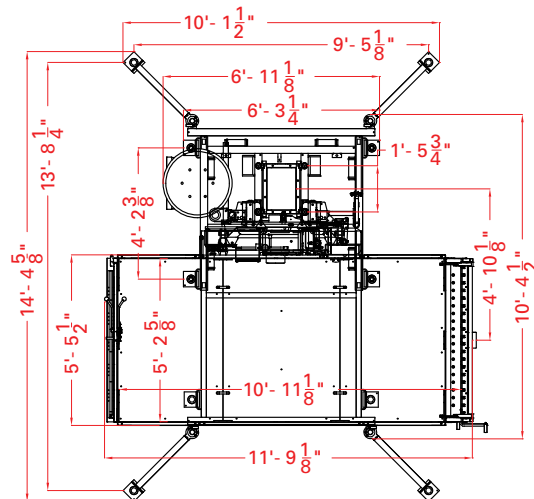
COMPONENT WEIGHTS

Drive Unit:	1543 lbs
Mast (4'-11"):	165 lbs
Ground Frame (w/Outriggers)	915 lbs

OPTIONS

Roof
Installation Crane
Ground Control Station
Landing Level Safety Gates
Platform Extension Kit – increases length to 12'-8"

*Models are designed to comply with ANSI-A92.10 2008



www.alimakhek.com



Dimensions are typical, please consult with engineering for specific configurations. HEK models are designed to comply with ANSI-A92.10 2008 as applicable. Use of products must comply to safe practice and applicable statutes, regulations, codes and ordinances. Drawings are illustrative only and do not necessarily depict exact configurations of products offered at a particular time. Alimak Hek Inc has a policy of continuous product research and development, and reserves the right to change design and specifications without notice.

Applications, configurations, technical data and working procedures are for illustration purposes only. According to (inter)national and/or local legislation, regulations and policy they may not be permitted in certain cases; buyer or lessee should always verify local regulations in its jurisdiction. Further, we reserve the right to change any of the aforementioned concerning our products in this brochure at any time without prior notice.